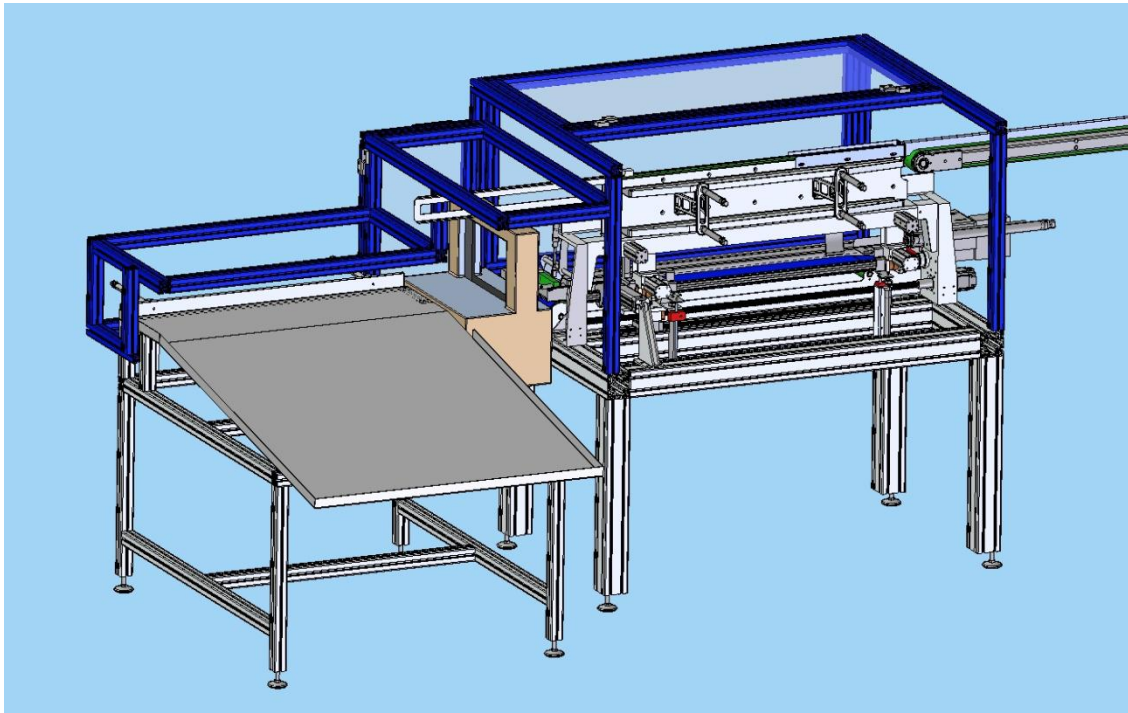


Device for collecting and banding of flat aluminum tubes



Utilization:

Device for strapping tubes is one-purpose technological machinery for packaging flat aluminum tubes for the manufacture of coolers with a width of 16, 26, 32 mm and lengths from 200 mm to 900 mm.

Technical description of device:

The workplace is designed in three parts:

- aluminum tube feeder
- strapping device
- gravity conveyor

The feeder is adjustable for the desired range of tubes. The feeder separates individual doses of tubes for strapping with tape, flips them into a horizontal position and deliver a dose of tubes into strapping device.

Banding machine ATS-MS420 is an automatic device for strapping material with paper tape.

At the gravity conveyor afre gathering strapped doses of tubes. After filling up gravity conveyor the operator removes the finished packages for further processing.

Basic technical specification:

Name: Device for banding tubes JX.10.1.00.00
Type: JX 10
Year: 2013
Utilization: production of packages of flat tubes

Type of power:
Power supply energy:
Compressed air:

electric + pneumatic
230V
6-7 bar

Device for collecting and banding of flat aluminum tubes



Realization:
MAHLE Behr Ostrava, s.r.o.

2013, 2014

1 + 1 ks