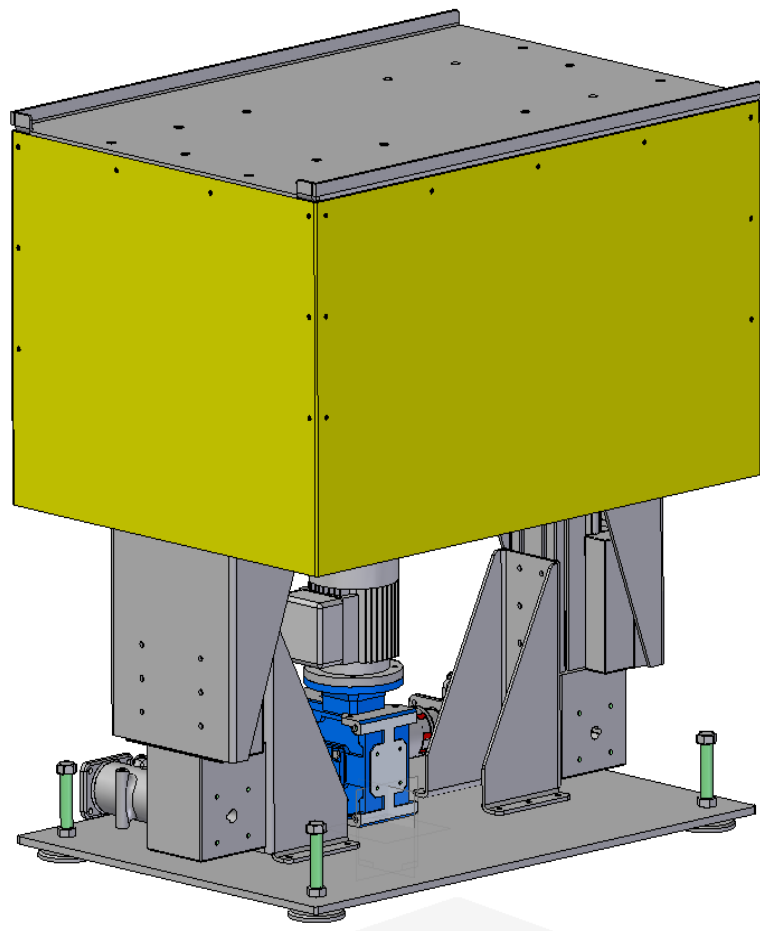


## Manipulating positioner for 500 kg



### Utilization:

This device is designed for handling with carts in vertical direction.

### Technical description of device:

The basis of the positioner construction are sheet metal beams and two linear drives located vertically below the top plate. The drive is secured by an electric transmission with a brake, driving both linear drives simultaneously. The supporting struts are mounted on linear actuators and a top plate is attached to these struts. Further the positioner is provided with end switches that determine the correct position of the top plate.

### Basic technical specification:

Name: Manipulating positioner  
Type: MZ 08  
Type of work: vertical manipulation with carts  
Type of drive: electric  
Load capacity: 500 kg equally placed on positioner  
Lifting height: 400 mm



**Realization: User:**

ROMOTOP, spol. s r.o., Suchdol nad Odrou

**Realization date:**

2014

**Quantity:**

1