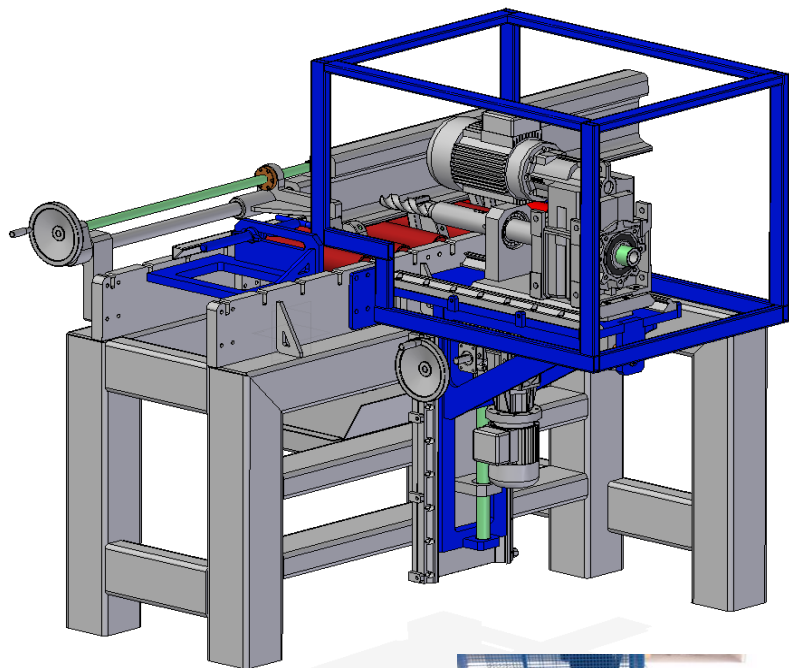


Semi-automatic unit for drilling rails



Utilization:

Semi-automatic unit for drilling rails is technological machinery designed to drill holes in the rails. Diameter of holes is from 10 mm to 32 mm.

Basic technical description and parameters:

1. Crane track with hydraulic clamping jaws
2. Drilling head:
 - type: JV 01
 - type of drive: Electric-hydraulic
 - kind of work: Drilling holes in the rails
 - voltage system: 3 x 400V/230V, 50 Hz



Realization:

HEMAT TRADE Ostrava, a.s.

2014

1 ks